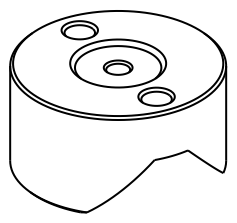
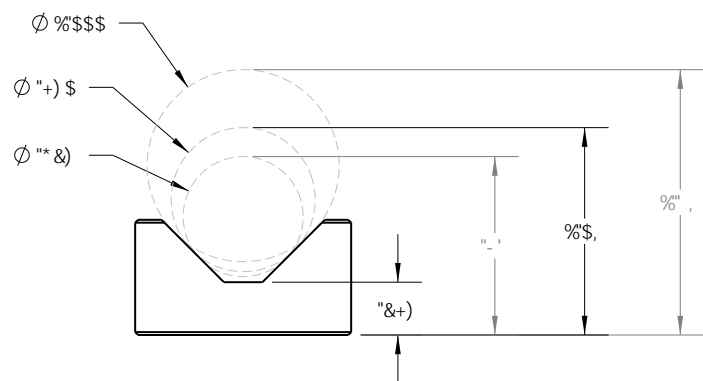
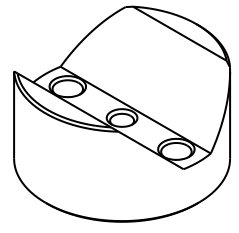


G97 HC B 5!5



| | |
|---------------------------------------------------------------------------------------------------------------------------------------------------------------------------------------------------------------------------------------------------------------------------------------------------------------------------------------------------|-------------------------------------------------------------------------------------------------------------------------------------------------------------------------------------------------------------------------------------------------------------------------------------------------------------------------------------------------|
| <p>DFC DF-9H5 FMB: CFA 5HC B</p> <p>H: 9 B: CFA 5HC B 7 C BI 5 B 98 B- B H: 4 8 F5 K B: 4 G H: 9 GC 9 DFC D9 FHM C: A 7 FC G F: 5 7 9 9 B: F'' B 7 '' 5 B 8 G: I FB G: 9 8 : C F: B: C F A 5 HC B 5 @ DI FDC G9 GC B @ M</p> <p>! &ed A t @ UU A M U @ x @ O @ O @ O @ O @ O E</p> | <p>I B @ 9 G C H: 9 F K 4 9 @ 9 7 - 9 8.</p> <p>8 A 9 B G C B G 5 F 9 B B 7 - 9 G</p> <p>HC 9 F 5 B 7 9 G 5 B: I @ 5 F: 9 @ H K C D @ 5 7 9 8 9 7 A 5 @ "" + "\$ \$ H: F 9 9 D @ 5 7 9 8 9 7 A 5 @ + "\$ \$)</p> <p>- B H F D F 9 H: 9 C A 9 H F 7 HC @ 9 F 5 B 7 B: D 9 F: 5 B G M (")</p> |
|---------------------------------------------------------------------------------------------------------------------------------------------------------------------------------------------------------------------------------------------------------------------------------------------------------------------------------------------------|-------------------------------------------------------------------------------------------------------------------------------------------------------------------------------------------------------------------------------------------------------------------------------------------------------------------------------------------------|

| | | | | |
|--------------------------------------------------------------------------------------|--------------------------------------------------------|-----------------------------------------------------------------------------------------------|----------------------------------------------------|--------------------------------------------------|
|  | | <p align="center">6 U!HW</p> | | |
| | | <p align="center">%) \$ 9" G @ 5 GC B 5 J 9 @ G 5 B; 9 @ 9 G 7 5 - \$\$\$%</p> | | |
| <p align="center">J 99 6 @ 7 ? ! G F: 5 7 9 A C I B H</p> | | <p align="center">PWT 000 J 6! +) ! GA</p> | <p align="center">uox \$\$\$&</p> | |
| <p align="center">; 9 B 9'; @ 9 5 GC B</p> | <p align="center">dy P A 0 Y F > J</p> | <p align="center">0 0 s / 0 0 U 0 s Y P % & # \$ & # \$ *</p> | <p align="center">u 0 0 5</p> | <p align="center">u 0 0 s 0 % %</p> |