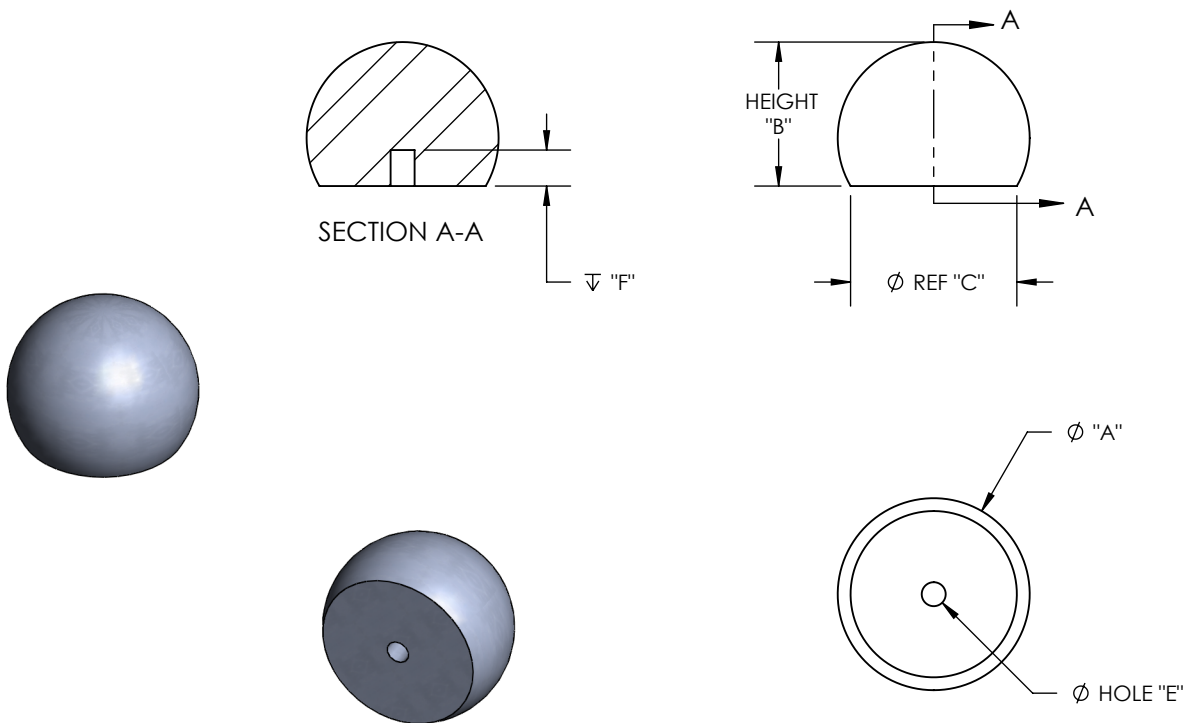


MATERIAL: STAINLESS STEEL 440C, HARDENED TO Rc 58 MIN

REV	ECO NO.	ECO TITLE	DATE
02	-----	DRAWING UPDATE	12/02/06
03	-----	DRAWING UPDATE	07/18/14



PART NUMBER	UNITS	DIAMETER "A"	HEIGHT "B"	DIAMETER REFERENCE "C"	HOLE DIA "E"	HOLE DEPTH "F"
187-TB-BH	in	0.1875 ± 0.0001	0.125 ± 0.002	0.1767	0.063	0.063
	mm	4.76 ± 0.003	3.175 ± 0.05	4.488	0.16	0.16
250-TB-BH	in	0.2500 ± 0.0001	0.167 ± 0.002	0.235	0.063	0.063
	mm	6.35 ± 0.003	4.242 ± 0.05	5.97	0.16	0.16
312-TB-BH	in	0.3125 ± 0.0001	0.208 ± 0.002	0.294	0.094	0.094
	mm	7.94 ± 0.003	5.283 ± 0.05	7.468	0.24	0.24
375-TB-BH	in	0.3750 ± 0.0001	0.25 ± 0.002	0.353	0.125	0.125
	mm	9.53 ± 0.003	6.350 ± 0.05	8.966	0.32	0.32
500-TB-BH	in	0.5000 ± 0.0001	0.334 ± 0.002	0.471	0.156	0.156
	mm	12.70 ± 0.003	8.484 ± 0.05	11.963	0.40	0.40
750-TB-BH	in	0.7500 ± 0.0001	0.5 ± 0.002	0.707	0.156	0.156
	mm	19.05 ± 0.003	12.700 ± 0.05	17.958	0.40	0.40
100-TB-BH	in	1.0000 ± 0.0001	0.75 ± 0.002	0.866	0.188	0.188
	mm	25.40 ± 0.003	19.050 ± 0.05	21.996	0.48	0.48

<p>PROPRIETARY INFORMATION</p> <p>THE INFORMATION CONTAINED IN THIS DRAWING IS THE SOLE PROPERTY OF MICRO SURFACE ENGR. INC. AND IS FURNISHED FOR INFORMATIONAL PURPOSES ONLY.</p> <p>© 2006 MICRO SURFACE ENGR. INC.</p>	<p>UNLESS OTHERWISE SPECIFIED:</p> <p>DIMENSIONS ARE IN INCHES</p> <p>TOLERANCES: ANGULAR: 1° TWO PLACE DECIMAL ±.01 THREE PLACE DECIMAL ±.005</p> <p>INTERPRET GEOMETRIC TOLERANCING PER: ANSI Y14.5</p>		<p>Bal-tecTM</p> <p>1550 E. SLAUSON AVE LOS ANGELES, CA 90011</p>		TITLE	NUMBER	REV
	<p>TRUNCATED BALL WITH BLIND HOLE</p>			SEE TABLE	03		
	ENGINEER		DWN BY	DATE DRAWN	SIZE	SCALE	PAGE
GENE GLEASON	BLC	07/18/14	A	1:1	1 OF 1		