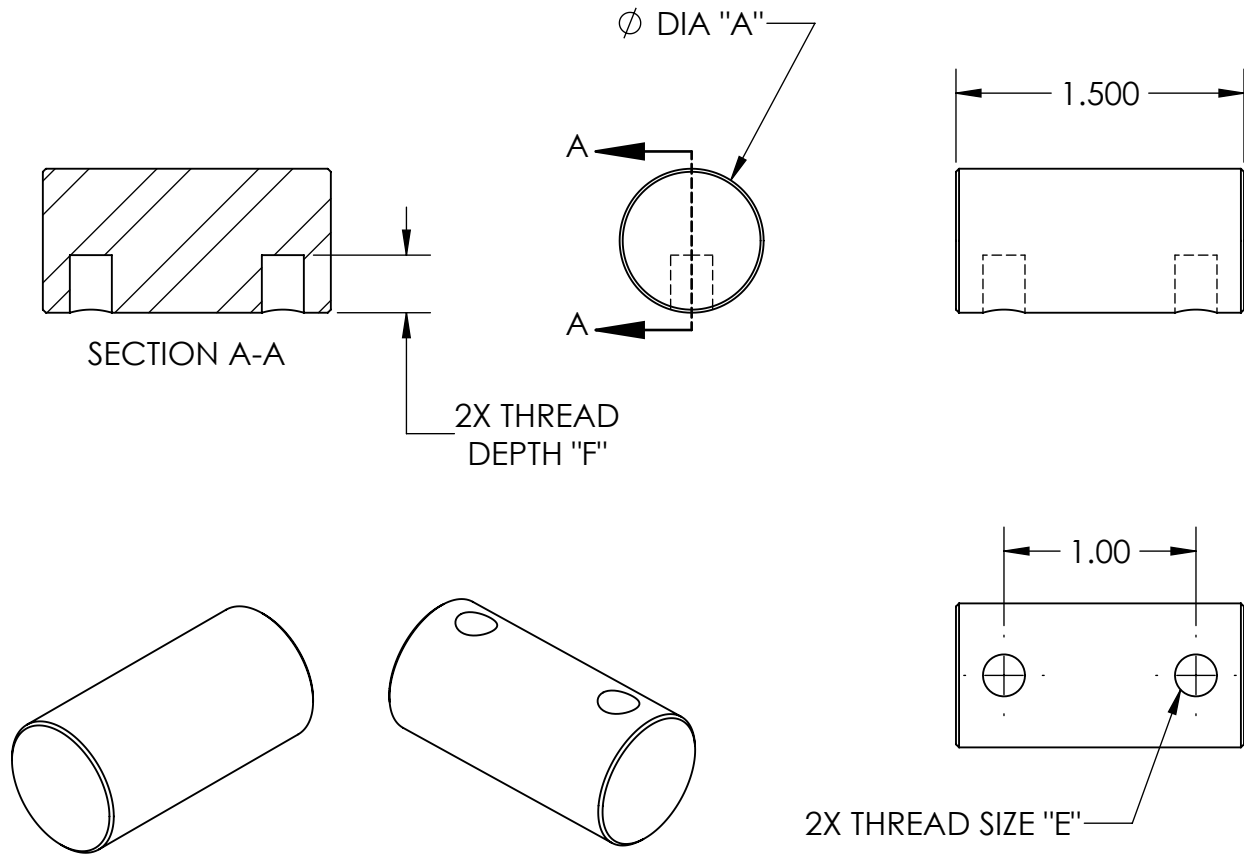


MATERIAL: STAINLESS STEEL 440C, HARDENED TO Rc 58 MIN

REV	ECO NO.	ECO TITLE	DATE
02	-----	DRAWING UPDATE	06/08/14



PART NUMBER	DIAMETER "A"	THREAD SIZE "E"	THREAD DEPTH "F"
250-T-C	0.250 ± .0001	6-32	0.100
312-T-C	0.3125 ± .0001	6-32	0.156
375-T-C	0.375 ± .0001	10-32	0.125
500-T-C	0.500 ± .0001	1/4-20	0.125
750-T-C	0.750 ± .0001	1/4-20	0.250
100-T-C	1.000 ± .0001	1/4-20	0.300

<p><b>PROPRIETARY INFORMATION</b></p> <p>THE INFORMATION CONTAINED IN THIS DRAWING IS THE SOLE PROPERTY OF MICRO SURFACE ENGR. INC. AND IS FURNISHED FOR INFORMATIONAL PURPOSES ONLY.</p> <p>© 2006 MICRO SURFACE ENGR. INC.</p>	<p>UNLESS OTHERWISE SPECIFIED:</p> <p>DIMENSIONS ARE IN INCHES</p> <p>TOLERANCES:            ANGULAR: 1°            TWO PLACE DECIMAL ±.01            THREE PLACE DECIMAL ±.005</p> <p>INTERPRET GEOMETRIC TOLERANCING PER: ANSI Y14.5</p>	 <p><b>Bal-tec</b><sup>TM</sup>            1550 E. SLAUSON AVE            LOS ANGELES, CA 90011</p>	<p>TITLE</p> <p>THREADED CYLINDER</p>		<p>NUMBER</p> <p>SEE TABLE</p>	<p>REV</p> <p>02</p>	
	<p>ENGINEER</p> <p>GENE GLEASON</p>		<p>DWN BY</p> <p>BLC</p>	<p>DATE DRAWN</p> <p>06/08/14</p>	<p>SIZE</p> <p>A</p>	<p>SCALE</p> <p>1:1</p>	<p>PAGE</p> <p>1 OF 1</p>