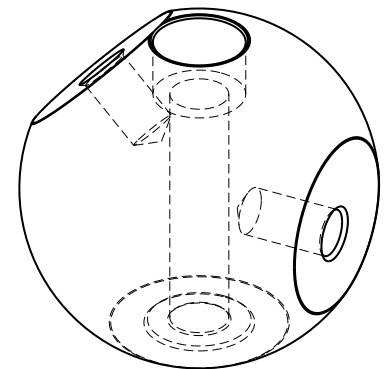
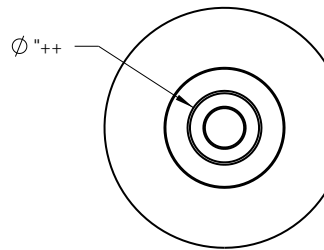



G97 HC B '6!6



<p><b>DFC DF-9H5FMB: CFA 5HC B</b></p> <p>H: 9 B: CFA 5HC B 7 C B15 B 98 -B          H: G8F5K -B: G H: 9 GC @9 DFC D9FHM          C: A 7 FC G F: 57 9 9B: F "B7 "5B8          G: I FB-G: 98 : CF -B: CFA 5HC B5 @          DI FDC G9GC B @M</p> <p>i Aced Ar ΦUUAUWUαα000p0U0α00E</p>	<p>I B @9GC H: 9FK @9 @97 ≠ 98.</p> <p>8 A 9BGC BG5F9 B -B7 -9G</p> <p>HC @9F 5B7 9G          5B: 1 @5 F: %          HK C D@57 9 8 97 A 5 @' " + "\$%          H: F99 D@57 9 8 97 A 5 @' " "\$%)</p> <p>-B H9F DF 9H: 9C A 9HF 7          HC @9F 5B7 -B: D9F: 5B G-MK (")</p>		<p><b>6 U!HW</b></p> <p>%) \$' 9" G@5! GC B '5J 9          @C G5B; 9@9Gz7 5 - \$\$\$%</p> <table border="1"> <tr> <td colspan="2">v@š0</td> <td colspan="2">pWt 00U</td> <td>ü0x</td> </tr> <tr> <td colspan="2">Hk 9?B! 7?@</td> <td colspan="2">?B!%</td> <td>\$%</td> </tr> <tr> <td>0p-0@00U</td> <td>0Y pA0Y</td> <td>0000000000 p</td> <td>ü00</td> <td>ü000</td> </tr> <tr> <td>; 9B 9; @95 GC B</td> <td>F &gt;J</td> <td>&amp;#/%( #/8%</td> <td>5 %&amp;</td> <td>%C: %</td> </tr> </table>	v@š0		pWt 00U		ü0x	Hk 9?B! 7?@		?B!%		\$%	0p-0@00U	0Y pA0Y	0000000000 p	ü00	ü000	; 9B 9; @95 GC B	F >J	&#/%( #/8%	5 %&	%C: %
v@š0		pWt 00U		ü0x																			
Hk 9?B! 7?@		?B!%		\$%																			
0p-0@00U	0Y pA0Y	0000000000 p	ü00	ü000																			
; 9B 9; @95 GC B	F >J	&#/%( #/8%	5 %&	%C: %																			