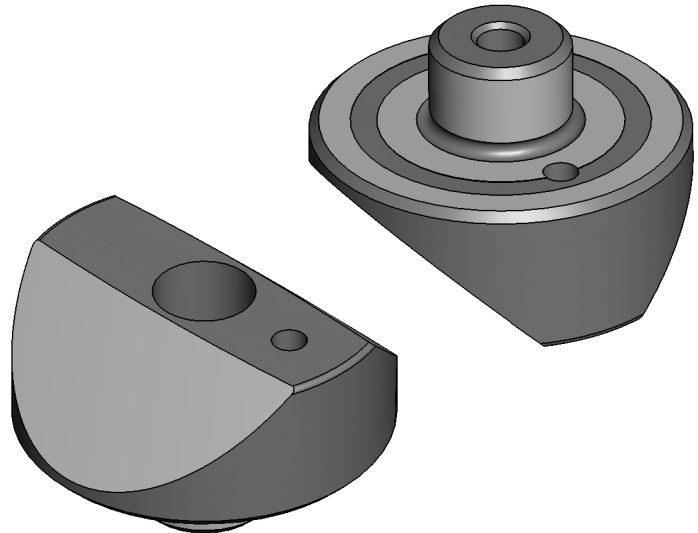
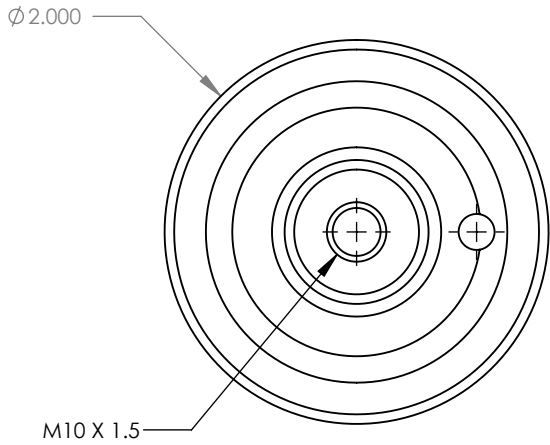
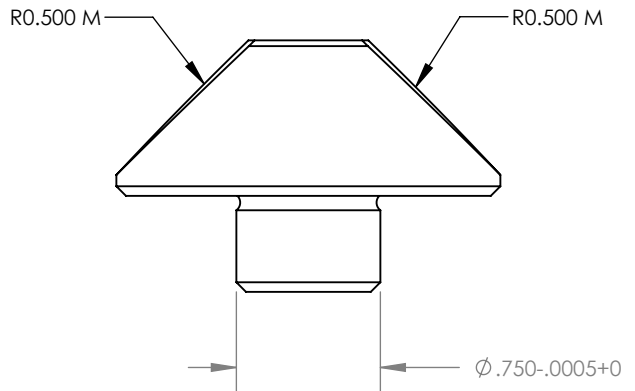
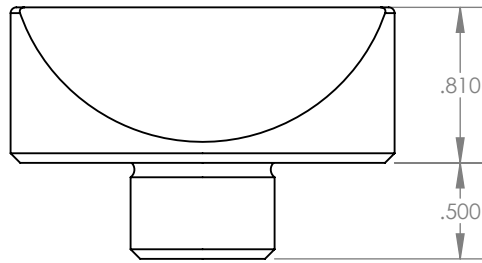
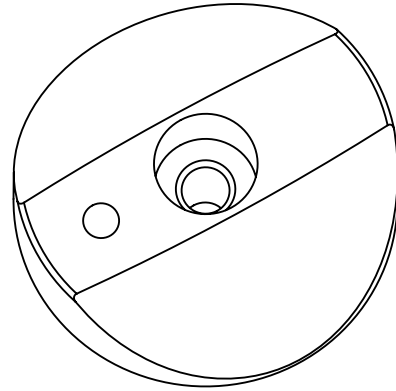
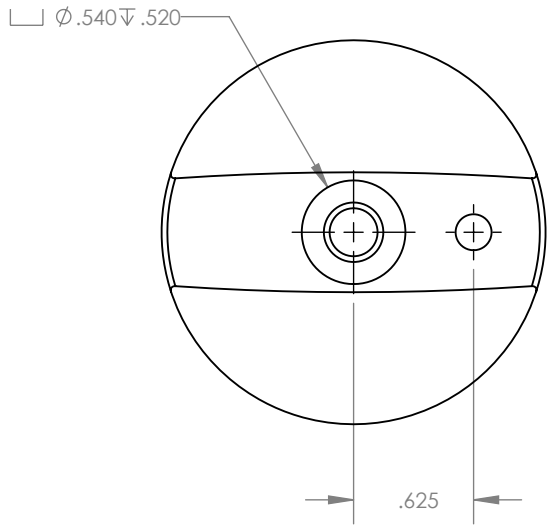


REV	ECO NO.	ECO TITLE	DATE
03	-----	DRAWING UPDATE	05/06/14



<p><b>PROPRIETARY INFORMATION</b></p> <p>THE INFORMATION CONTAINED IN THIS DRAWING IS THE SOLE PROPERTY OF MICRO SURFACE ENGR. INC. AND IS FURNISHED FOR INFORMATIONAL PURPOSES ONLY.</p> <p>© 2006 MICRO SURFACE ENGR. INC.</p>	<p>UNLESS OTHERWISE SPECIFIED:</p> <p>DIMENSIONS ARE IN INCHES</p> <p>TOLERANCES:</p> <p>ANGULAR: 1°</p> <p>TWO PLACE DECIMAL ±.01</p> <p>THREE PLACE DECIMAL ±.005</p>	 <p><b>Bal-tec</b><sup>TM</sup></p> <p>1550 E. SLAUSON AVE LOS ANGELES, CA 90011</p>	<p>TITLE</p> <p><b>CANOE SPHERE</b></p>		<p>NUMBER</p> <p><b>2000-CS</b></p>	<p>REV</p> <p><b>03</b></p>	
	<p>INTERPRET GEOMETRIC TOLERANCING PER: ANSI Y14.5</p>		<p>ENGINEER</p> <p><b>GENE GLEASON</b></p>	<p>DWN BY</p> <p><b>BLC</b></p>	<p>DATE DRAWN</p> <p><b>05/06/14</b></p>	<p>SIZE</p> <p><b>A</b></p>	<p>SCALE</p> <p><b>1:1</b></p>