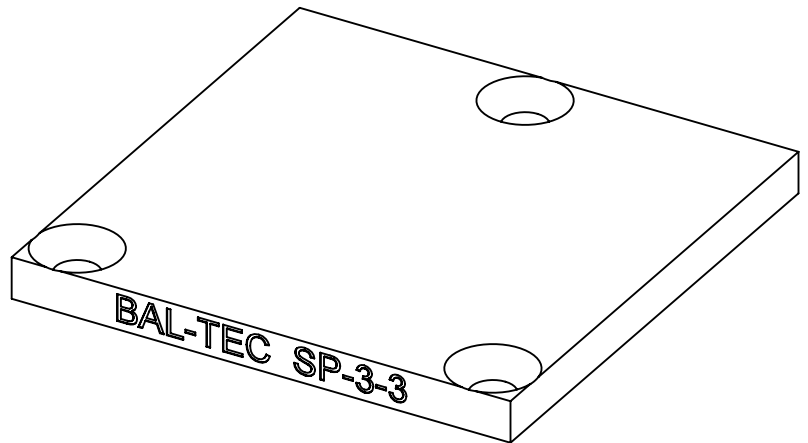
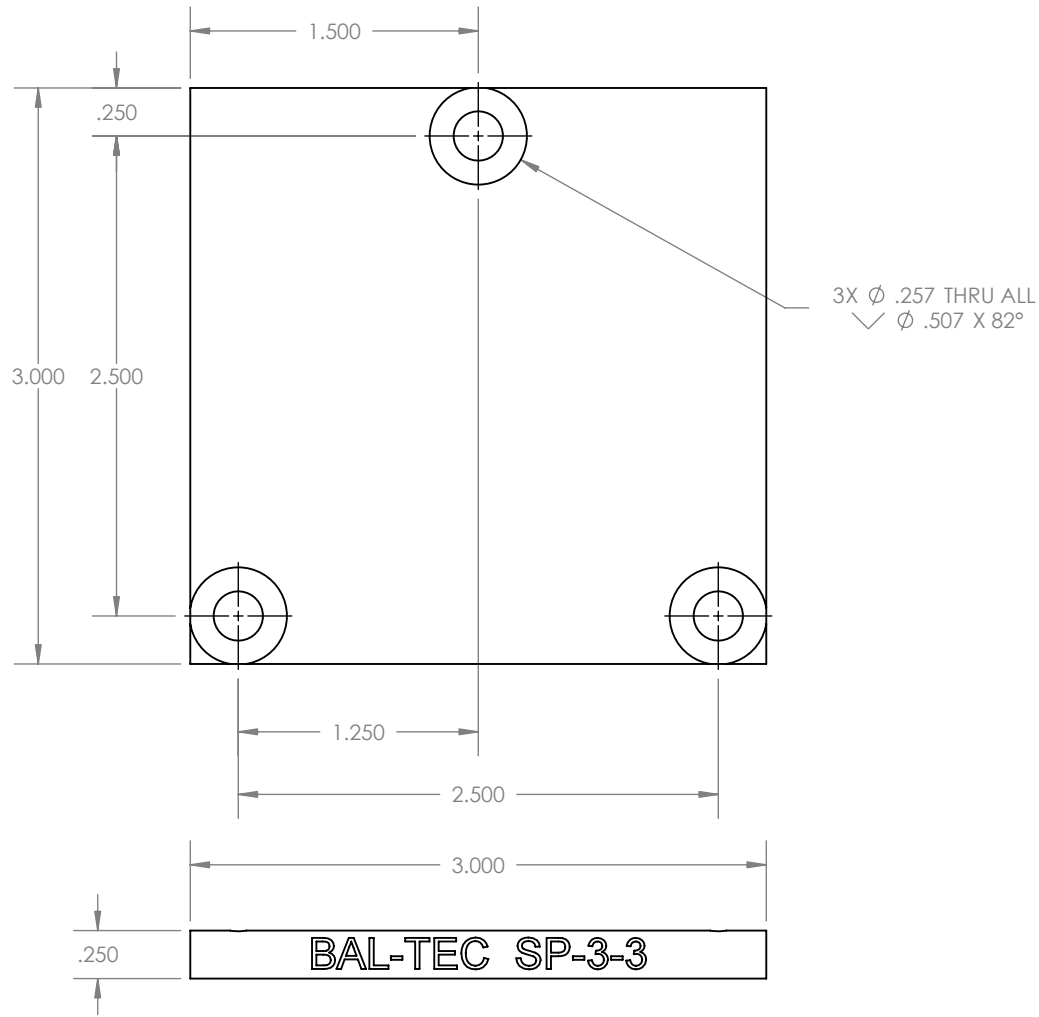



REV	ECO NO.	ECO TITLE	DATE
---	-----	-----	--/--/--



PROPRIETARY INFORMATION THE INFORMATION CONTAINED IN THIS DRAWING IS THE SOLE PROPERTY OF MICRO SURFACE ENGR. INC. AND IS FURNISHED FOR INFORMATIONAL PURPOSES ONLY. © 2006 MICRO SURFACE ENGR. INC.	UNLESS OTHERWISE SPECIFIED: DIMENSIONS ARE IN INCHES TOLERANCES: ANGULAR: 1° TWO PLACE DECIMAL ±.01 THREE PLACE DECIMAL ±.005	 Bal-tec TM 1550 E. SLAUSON AVE LOS ANGELES, CA 90011	TITLE 3 x 3 SUB PLATE		NUMBER SP-3-3	REV 001	
	INTERPRET GEOMETRIC TOLERANCING PER: ANSI Y14.5		ENGINEER GENE GLEASON	DWN BY RJV	DATE DRAWN 05/23/07	SIZE A	SCALE 1:1