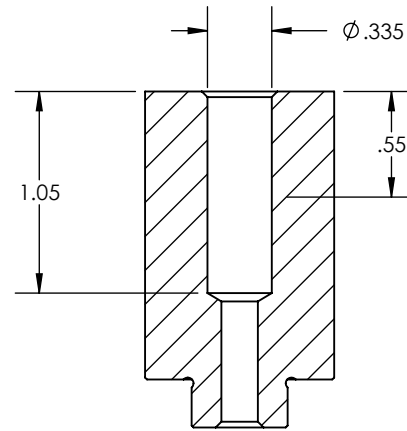
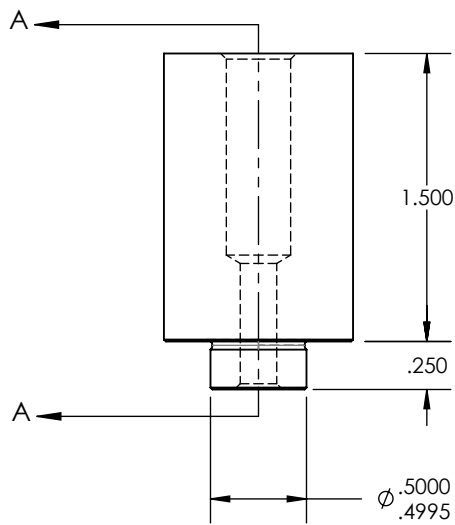
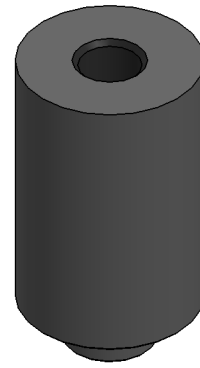
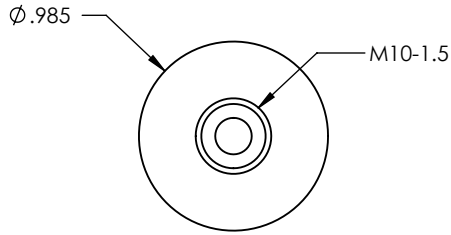
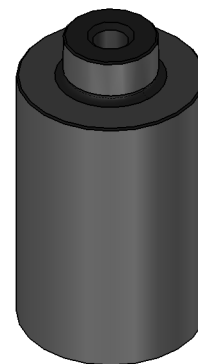
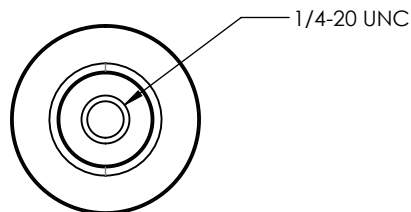



REV	ECO NO.	ECO TITLE	DATE
01	-----	DRAWING UPDATE	05/16/14



SECTION A-A



<p>PROPRIETARY INFORMATION</p> <p>THE INFORMATION CONTAINED IN THIS DRAWING IS THE SOLE PROPERTY OF MICRO SURFACE ENGR. INC. AND IS FURNISHED FOR INFORMATIONAL PURPOSES ONLY.</p> <p>© 2006 MICRO SURFACE ENGR. INC.</p>	<p>UNLESS OTHERWISE SPECIFIED:</p> <p>DIMENSIONS ARE IN INCHES</p> <p>TOLERANCES: ANGULAR: 1° TWO PLACE DECIMAL ±.01 THREE PLACE DECIMAL ±.005</p>	 <p>Bal-tecTM 1550 E. SLAUSON AVE LOS ANGELES, CA 90011</p>	<p>TITLE FLAT CYLINDER - CYLINDRICAL POST MOUNTED</p>		<p>NUMBER FC-100-CPM</p>	<p>REV 01</p>	
	<p>INTERPRET GEOMETRIC TOLERANCING PER: ANSI Y14.5</p>		<p>ENGINEER GENE GLEASON</p>	<p>DWN BY BLC</p>	<p>DATE DRAWN 05/16/14</p>	<p>SIZE A</p>	<p>SCALE 1:1</p>